

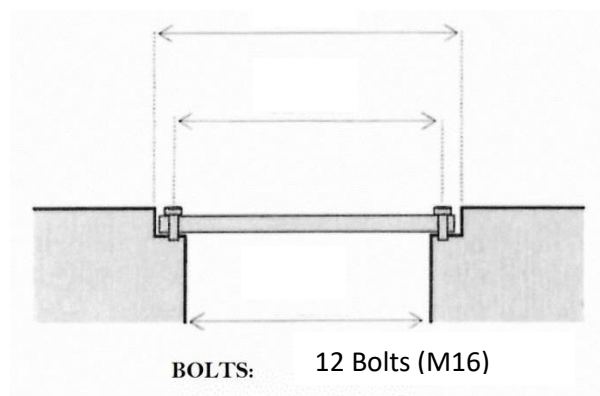


Please mark location of loading holds and de-aeration holds, also dimensions as marked below

Arklow D Class

Arklow D Class	
1	
2	
3	
4	
5	
6	
7	
8	
9	
10	
11	
12	
13	
14	
15	

Loading Holes



De-airation Holes

