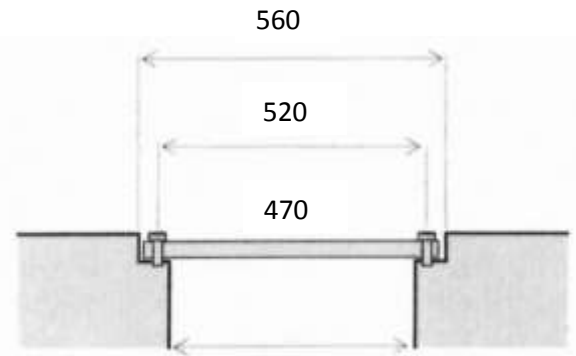


D Class



Loading Holes



BOLTS: 12 Bolts (M16)