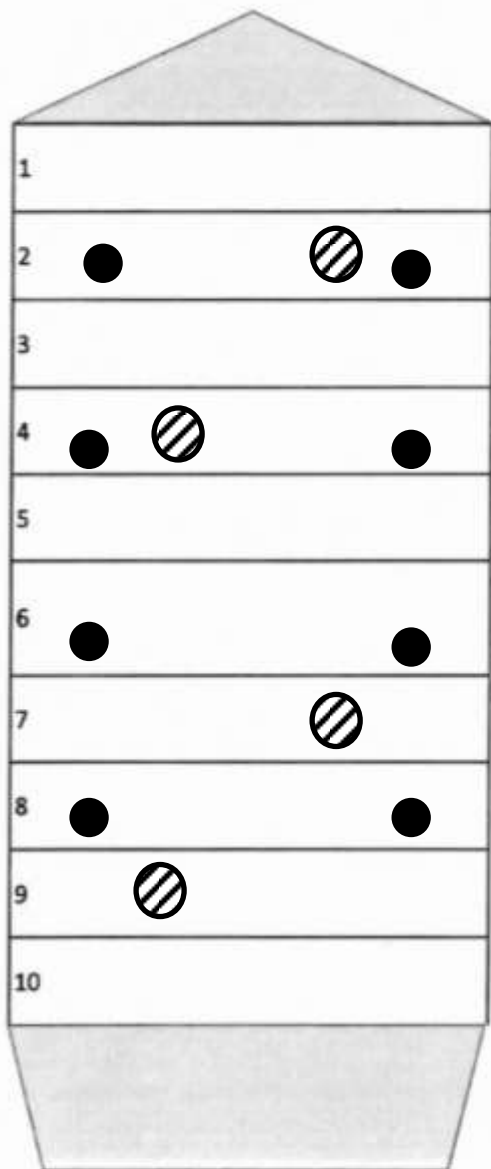
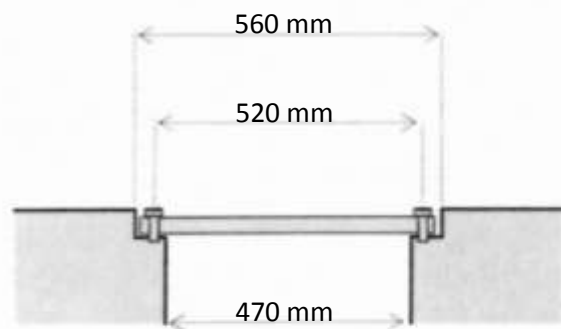




R Class

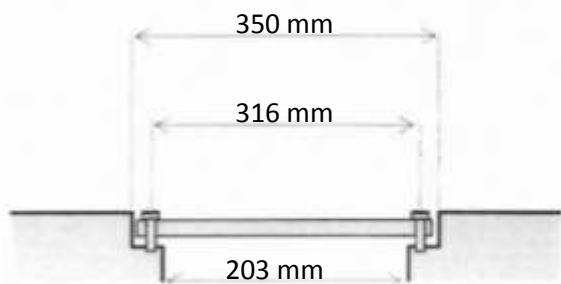


 **Loading holes**



12 BOLTS: imb M16 x 30

 **De-airation holes**



6 BOLTS: M12