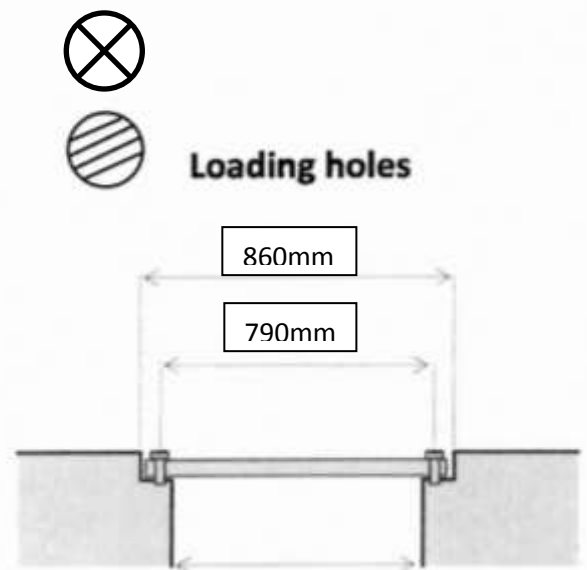
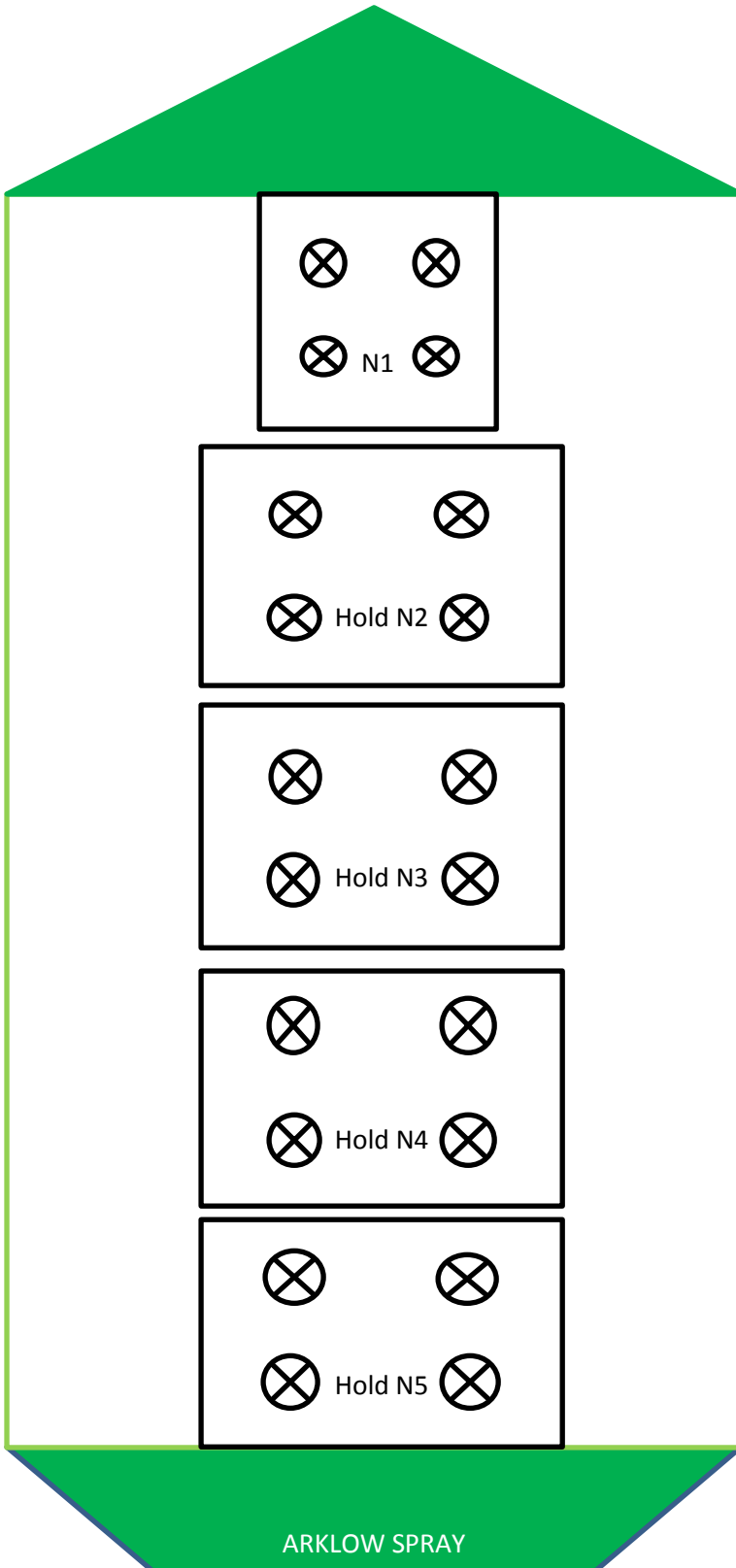




S Class

Loading and De-airation holes are the same



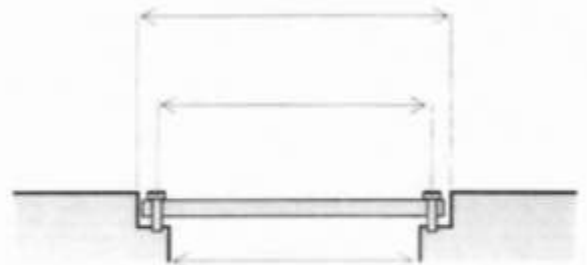
Loading holes

BOLTS:

20 Bolts M20 HEX.NUT & P.WASHER (SUS316) / M20x65L (SUS316) / Ø22 Hole



De-airation holes



BOLTS: