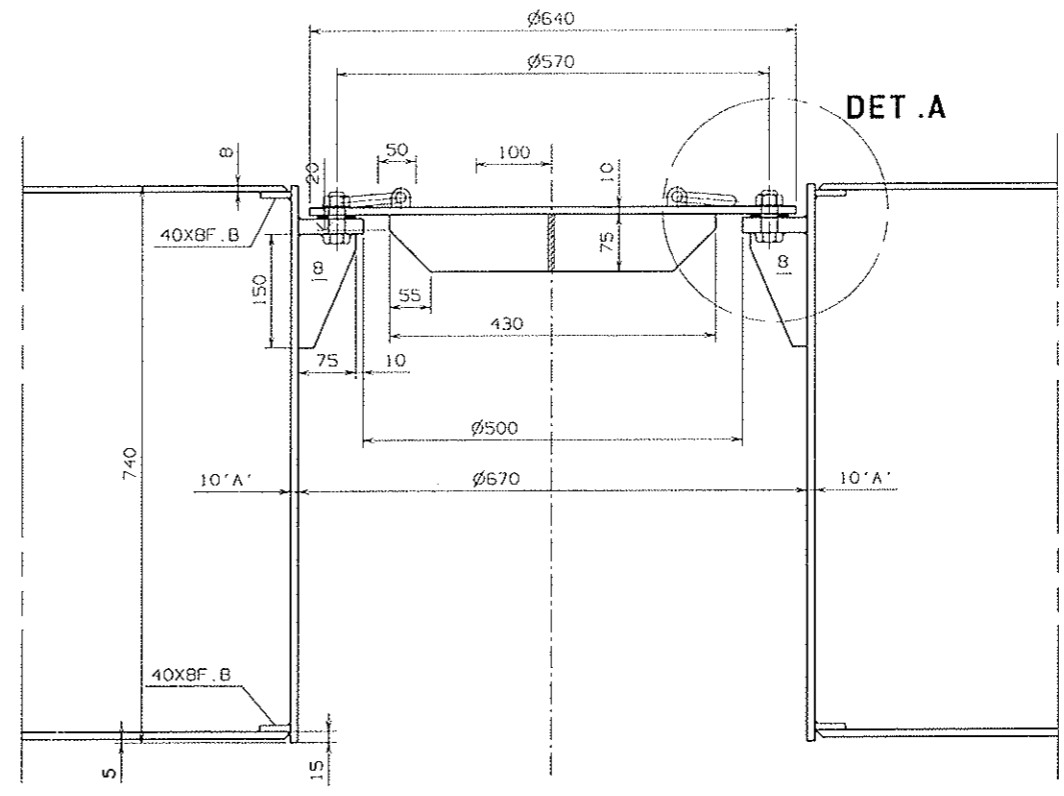
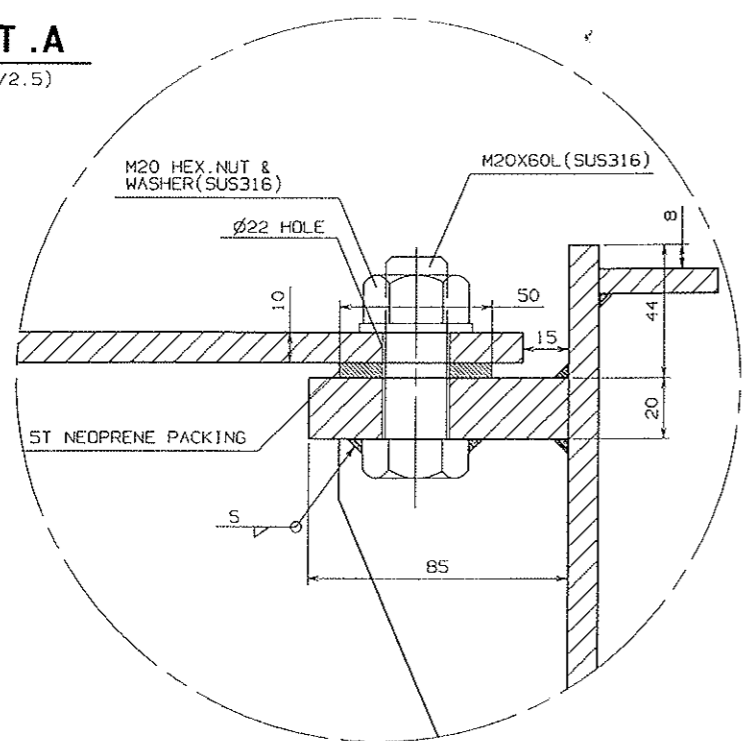


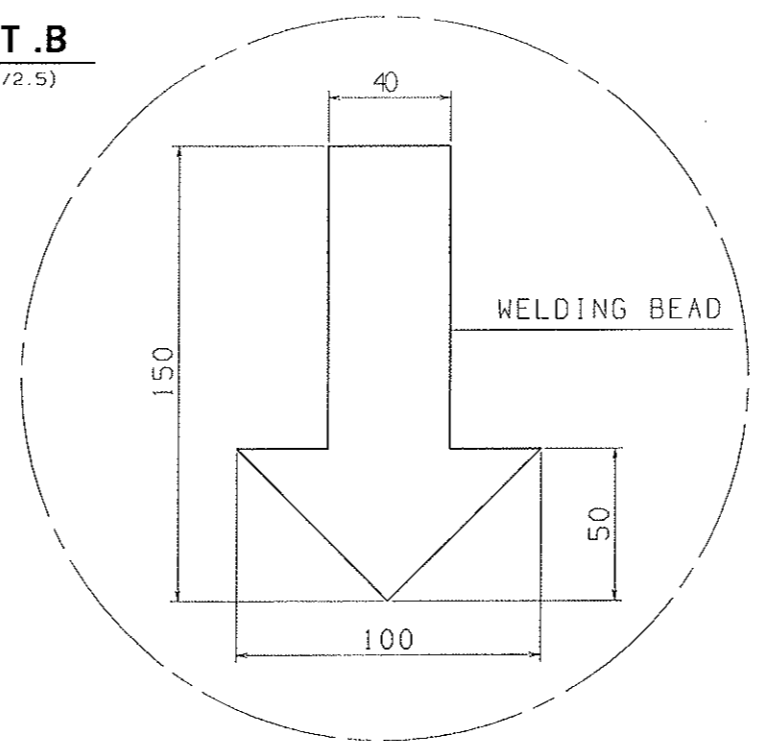
SECTION 'A-A'



**DET. A**  
(S: 1/2.5)



**DET. B**  
(S: 1/2.5)

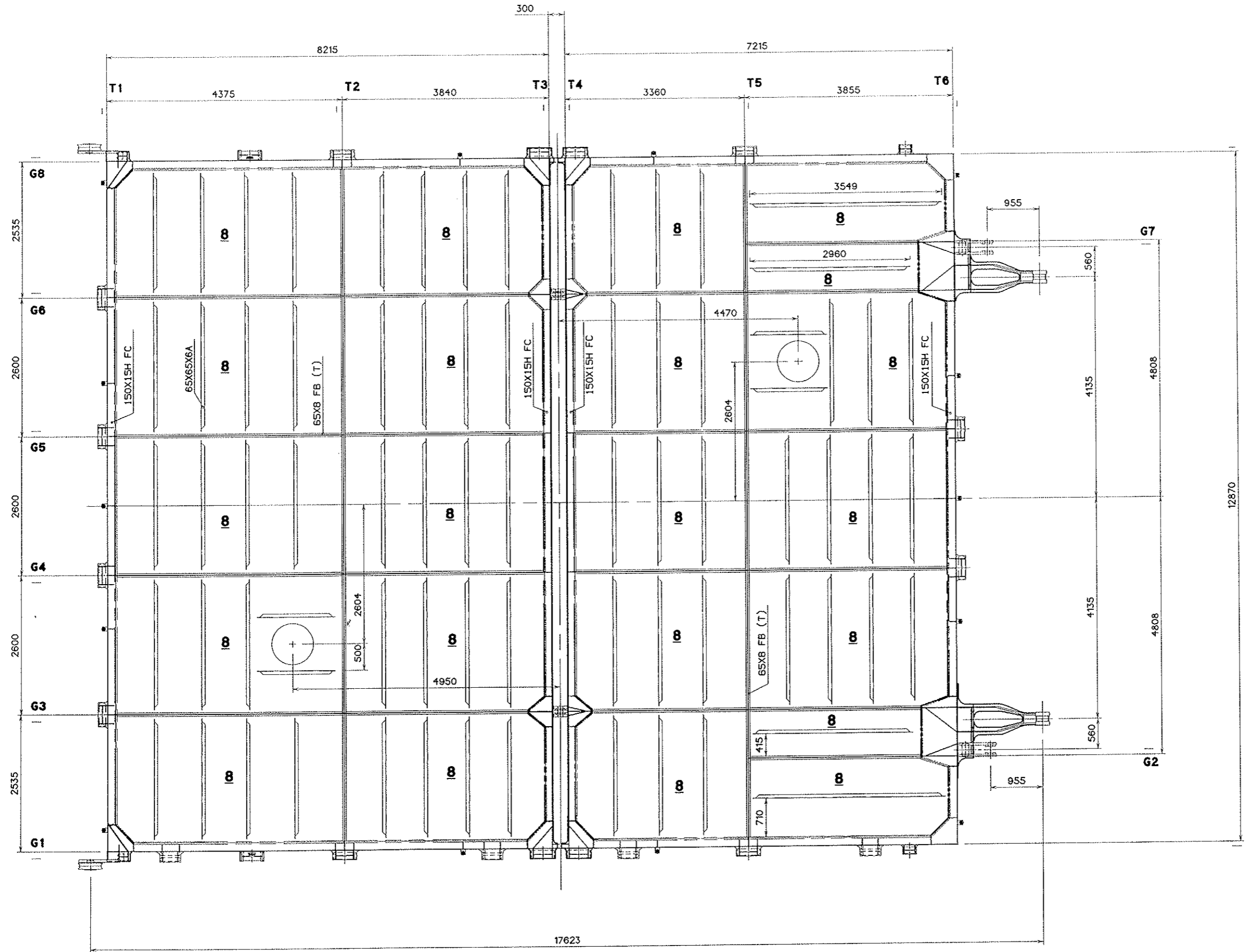


WELDING : IF NOT OTHERWISE SHOWN ALL WELDINGS  $\frac{5}{16}$   
SUPPLY SCOPE : SEOHAE

MS07-189-194 YARD & HULL No.	Description:		APPR.	DATE
	<b>GRAIN FEEDING HATCH</b> (Ø700)		S.T.LEE	2008.01.15
			DRAWN	DATE
	<b>SEOHAE</b> MARINE SYSTEM		J.H.HEO	2008.01.15
DRAWING NO.			REV.	
S90001302			RO	
		SHEET NO.	SCALE	SIZE
		4 OF 4	1/10	A3

ALTERATION	DATE	SIGN

THIS DRAWING AND THE DESIGN IS OUR PROPERTY AND MUST NOT BE DISCLOSED TO ANY THIRD PERSON WITHOUT PERMISSION.



Cadra  
FILENAME:

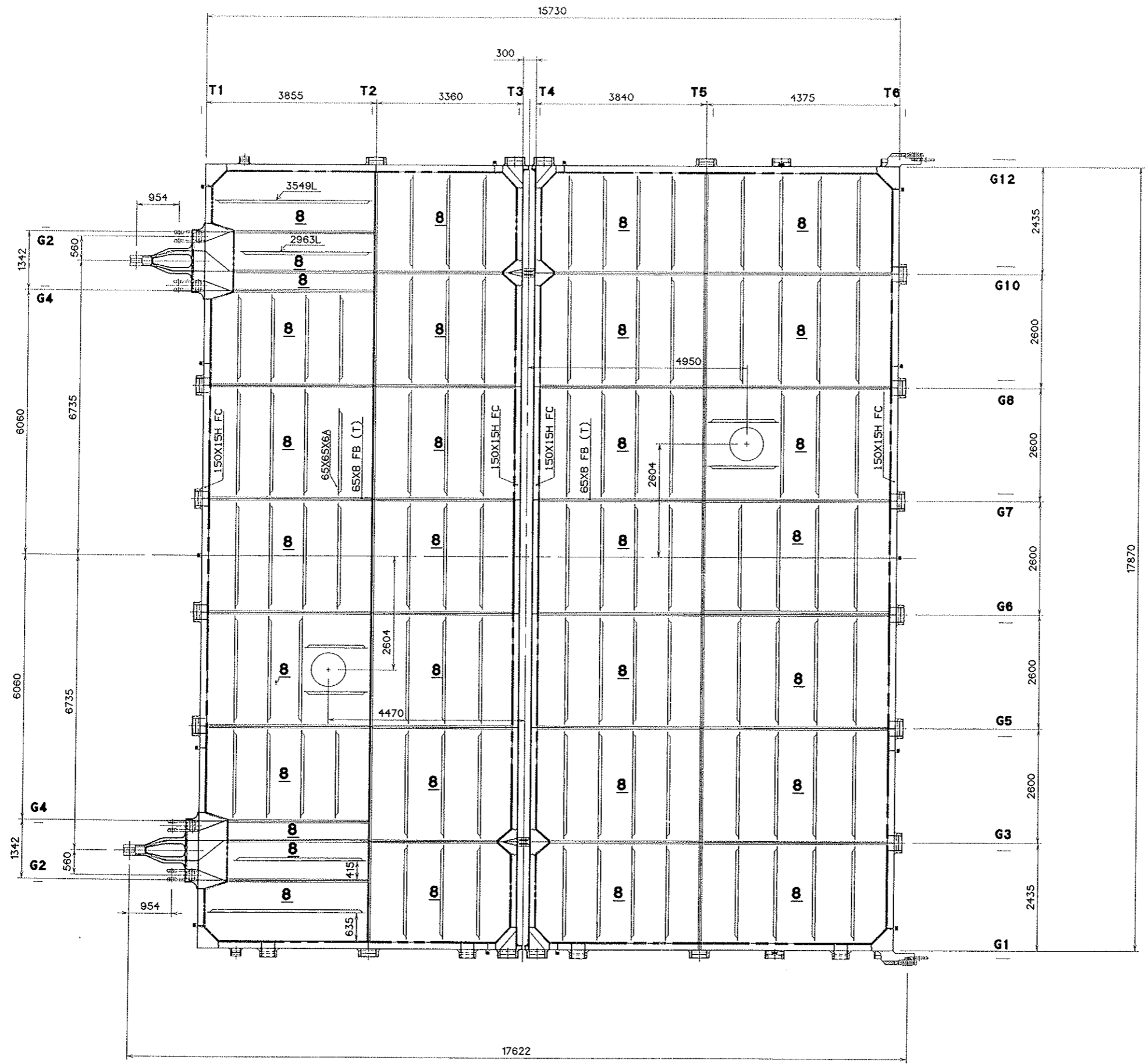
REV	ALTERATION	DATE	SIGN

MS07-189-194 YARD & HULL No.	Description:		
	<b>CONST. OF HATCH COVER HATCH NO. 1 HATCH</b>		
	<b>SEOHAE</b> MARINE SYSTEM		
	APPR. S.T.LEE	DATE 2008.01.15	
DRAWN J.H.HEO	DATE 2008.01.15		
DRAWING NO. S90001201		REV.	
SHEET NO. 2 OF 5	SCALE 1/73	SIZE A3	



THIS DRAWING AND THE DESIGN IS OUR PROPERTY AND MUST NOT BE DISCLOSED TO ANY THIRD PERSON WITHOUT PERMISSION.

Codro  
FILENAME:



REV	ALTERATION	DATE	SIGN

MS07-189-194 YARD & HULL No.	Description:			APPR.	DATE
	<b>CONST. OF HATCH COVER HATCH NO. 4 HATCH</b>			S.T.LEE	2008.01.15
				DRAWN	DATE
	<b>SEOHAE</b> MARINE SYSTEM			J.H.HEO	2008.01.15
				DRAWING NO.	REV.
S90001203			SHEET NO.	SCALE	SIZE
2 OF 5			2 OF 5	1/100	A3