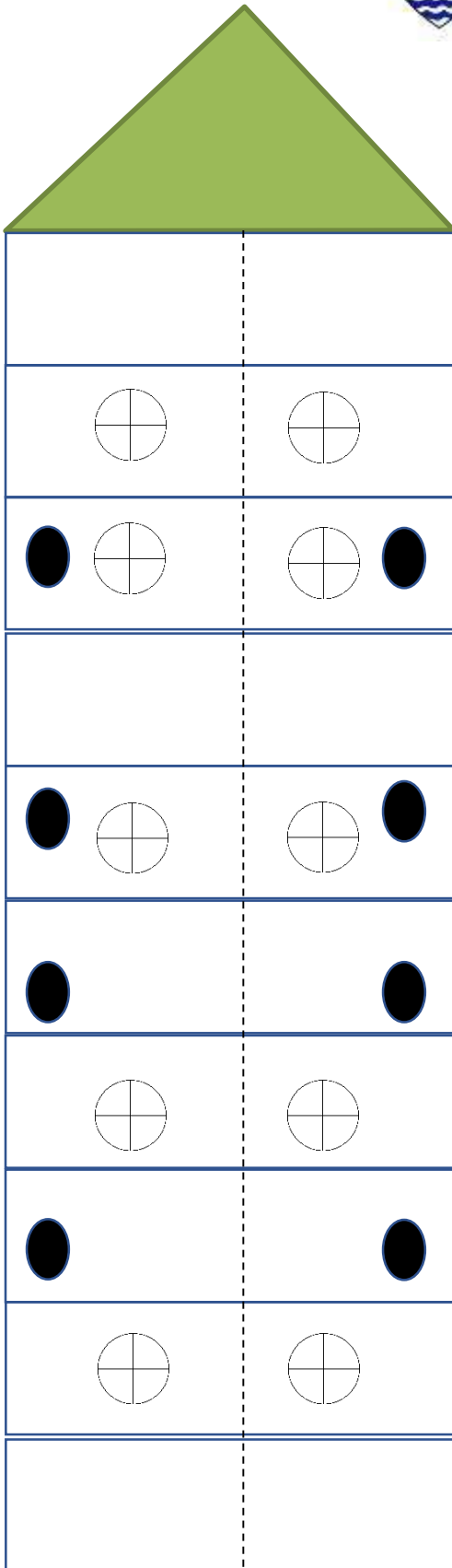
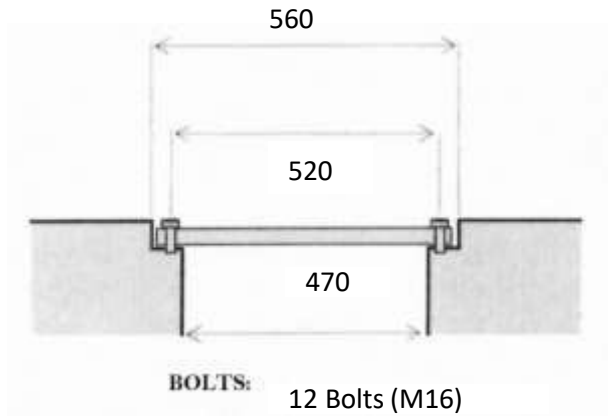


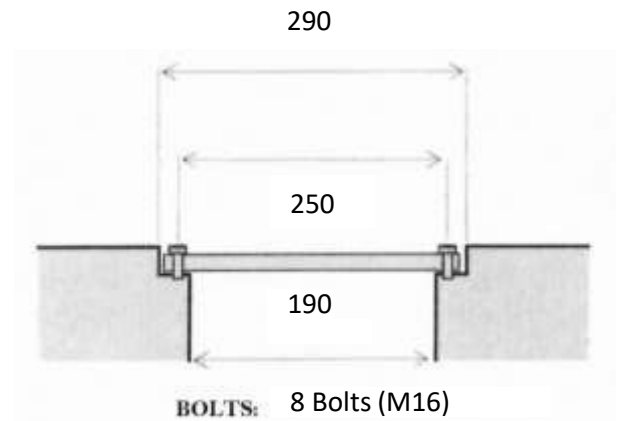
Arklow Fern



Loading Holes



De-aeration Holes



- 2.5m from centre of loading hole to centre line of vessel