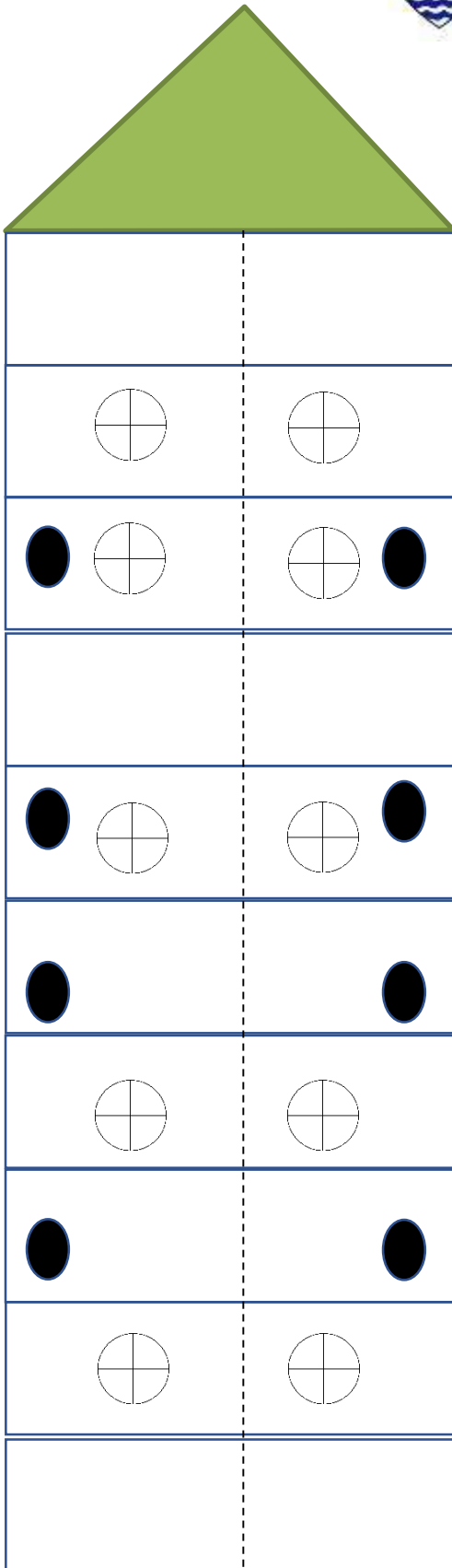
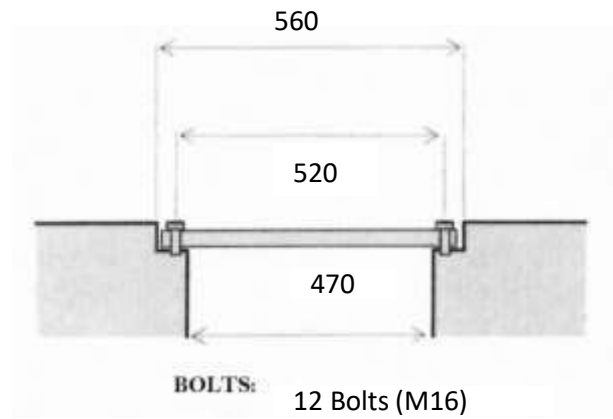


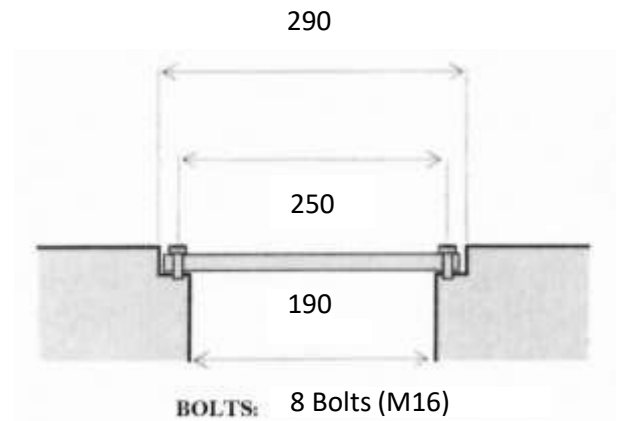
# Arklow Field



## Loading Holes



## De-aeration Holes



- **2.5m from centre of loading hole to centre line of vessel**