

Arklow Spirit

General Ship's Particulars



Class Notation:

I, \square Hull \square Mach, Unrestricted navigation, Bulk Carrier CSR CPS (WBT), BC-A (Holds 2+4 may be empty, ESP, Grab (20), \square AUT-UMS, MON-SHAFT, ALP, INWATER SURVEY, CLEANSHIP

Port of Registry	Yard	Year of Build	Class	P&I
ARKLOW	Daesun Shipbuilding & Engineering	2013	BUREAU VERITAS	NORTH STANDARD
Call Sign	IMO Number		Class Number	Official Number
EI-OF-4	9649536		21949K	404744
Email	Contact Number		Sat Phone	MMSI
ASPIRIT@ARKSHIP.IE	+353 87 138 8563		+87 077 324 0339	250002887

Length OA	Length BP	Breadth Mld	TPC
182.00m	177.52m	30.00m	49.4t
Summer Load Draft	Summer Deadweight	Winter Load Draft	Winter Deadweight
10.215 m	36,006 mt	10.0 m	34,905 mt
GT/NT	Min air draft	At max Ballast draft	Min coaming ht above waterline(midship) in full ballast condition
22,868t/12,154t	36.7m	6.3m	10.7m
Ballast excl/incl hold(#3)	Ballast rate p/h (x2)	VLSFO/MGO @ 90%	Fresh water
13,425t/ 23,374t	800m3/hr	1140t/170t	230t

Hold Capacities	No.1 Hold	No. 2 Hold	No.3 Hold	No.4 Hold	No. 5 Hold	Total
Grain M ³	7587.3	10056.3	9706.7	10070.7	9529.9	46951.0
Grain Ft ³	267930.3	355118.1	342772.6	355626.6	336529.4	1657980.6
Bale M ³	7103.1	9648.47	9334.8	9661.4	9209.7	44957.5
Bale Ft ³	250831.8	340716.4	329639.8	341173.0	325222.1	1587484.2
Hatch Dimensions	15.2m x 14.8m		20.0m x 20.4m			
Hatch Type	Macgregor Folding type	Cranes	4 x MacGregor Electric			
All holds are appendix B fitted. Mechanical ventilation-6 changes/hr. Maximum load on tank top: 25t/m²						

Speed and Consumption per day (w.o.g)

Not Scrubber fitted
Max 0.5% sulphur content

Ballast	Abt. 11.0kts on abt. 15t VLSFO/MGO	Abt. 12.5kts on abt. 18t VLSFO/MGO	Abt.14.0kts on abt. 23t VLSFO/MGO
Laden	Abt. 11.0kts on abt. 17t VLSFO/MGO	Abt. 12.5kts on abt. 19t VLSFO/MGO	Abt. 14.0kts on abt. 24t VLSFO/MGO
In Port (Idle)	3t MDO/IFO	In port with cranes	4.0t MDO/IFO

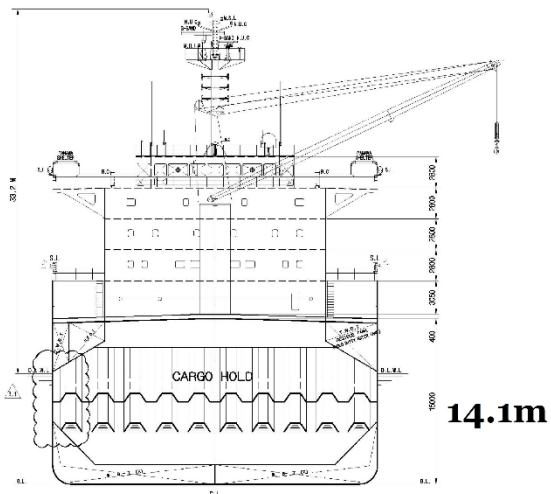
Other

Co2 Fire Suppression in Cargo Holds	BWTS	ER Fitted with Co2 & Flexi Fog	Mewis Duct	Australian Ladders
-------------------------------------	------	--------------------------------	------------	--------------------

Arklow Spirit

General Ship's Particulars

Min Crane Outreach: 4m
Max Crane Outreach: 26m



14.1m

MIDSHIP

20m

PROFILE

