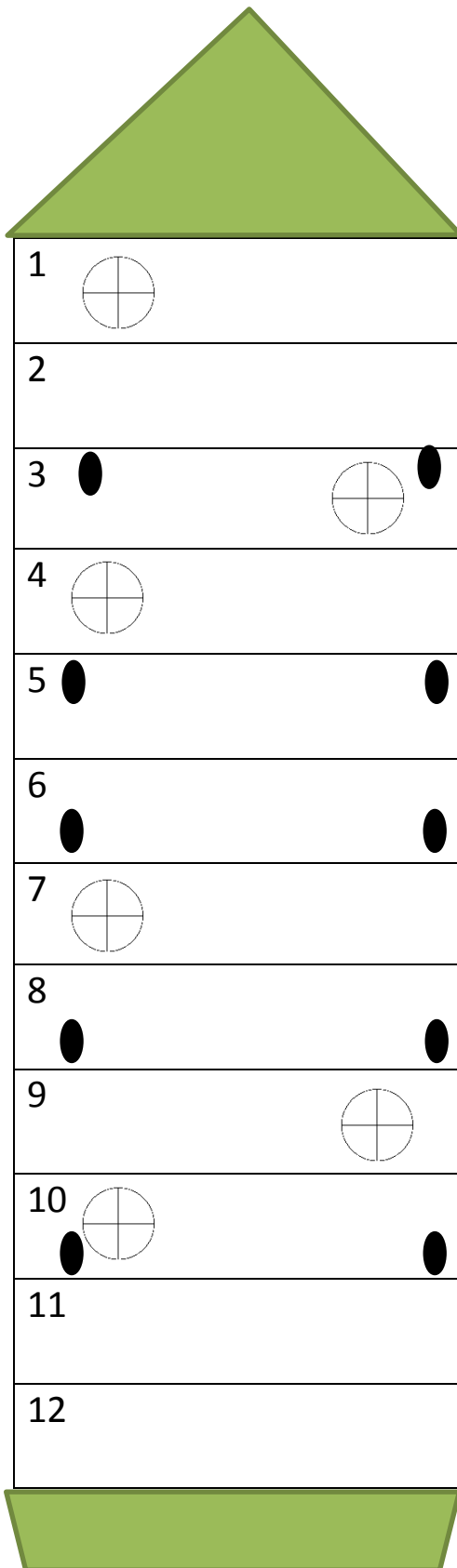
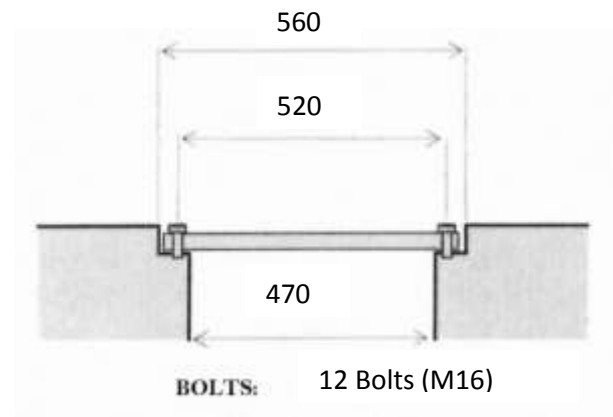




B Class



Loading Holes



De-airation Holes

