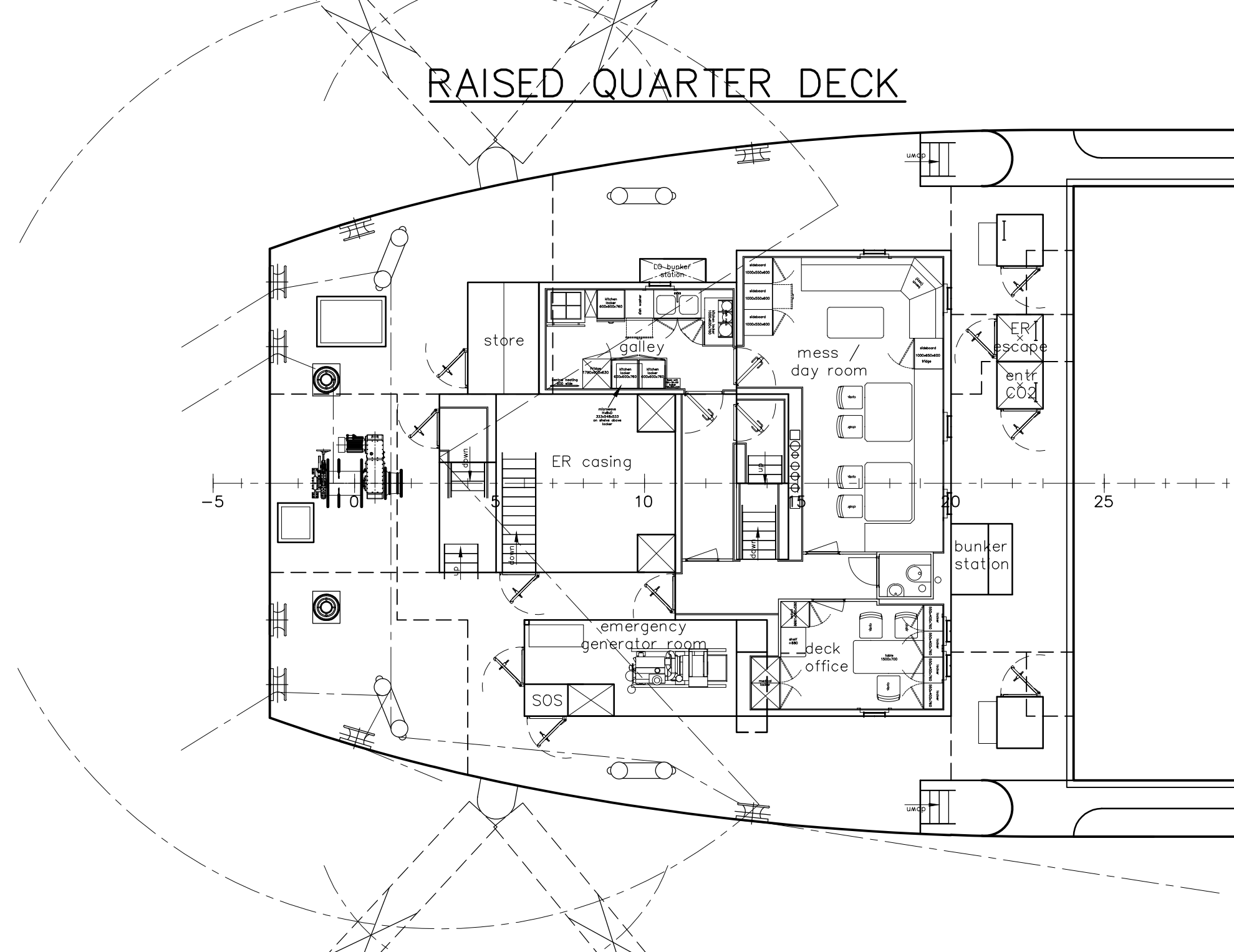
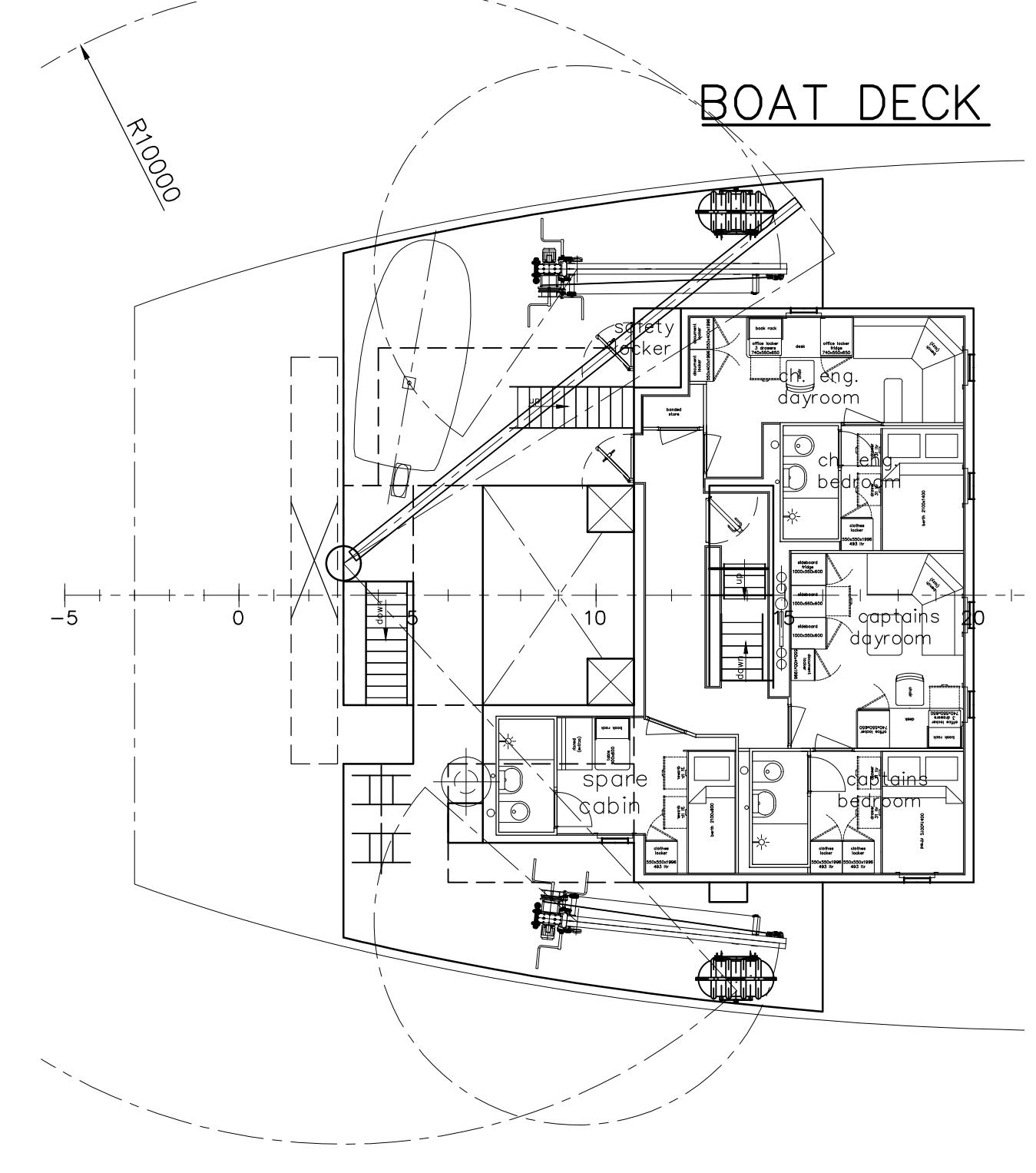


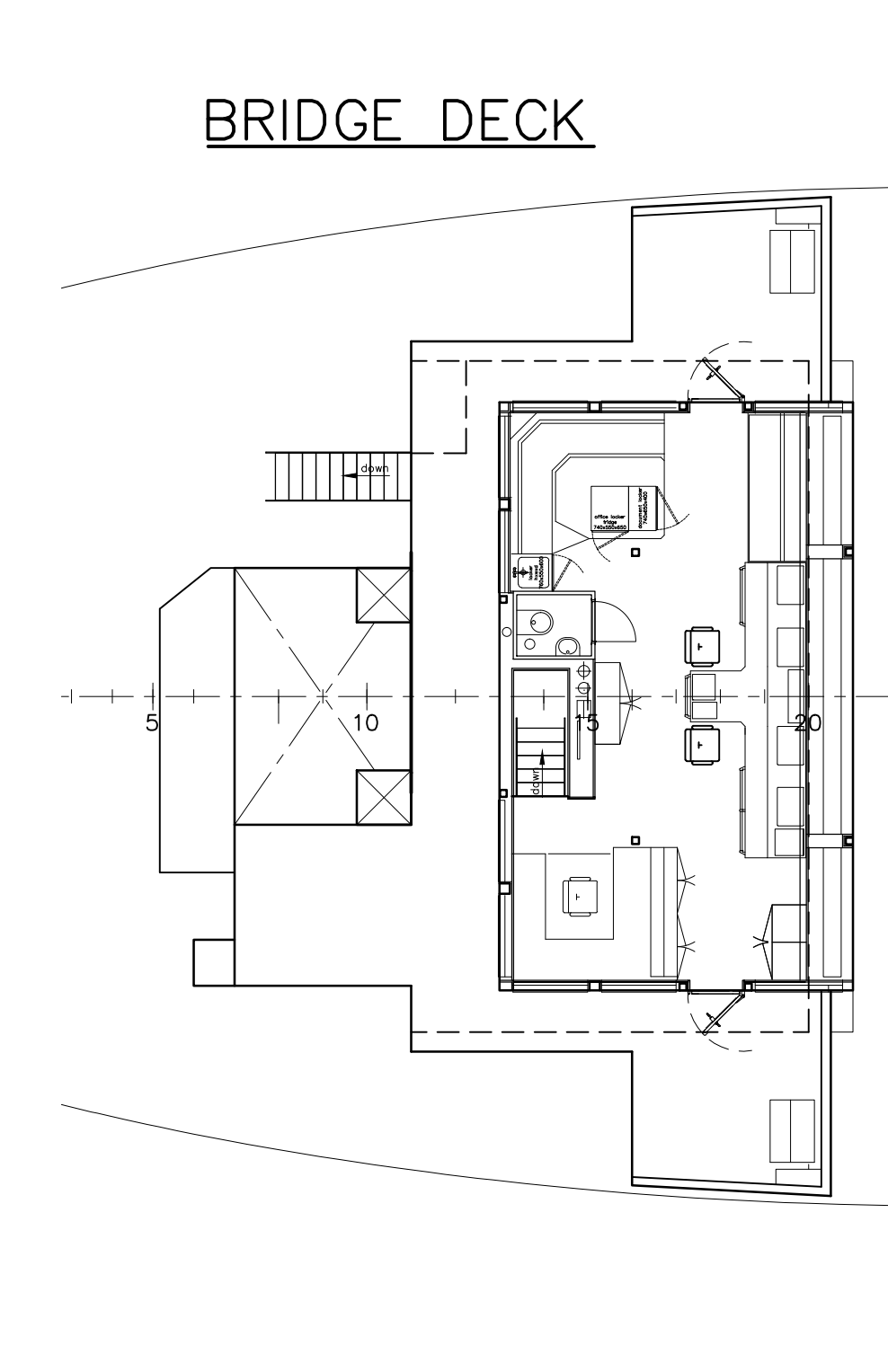
CROSS SECTION



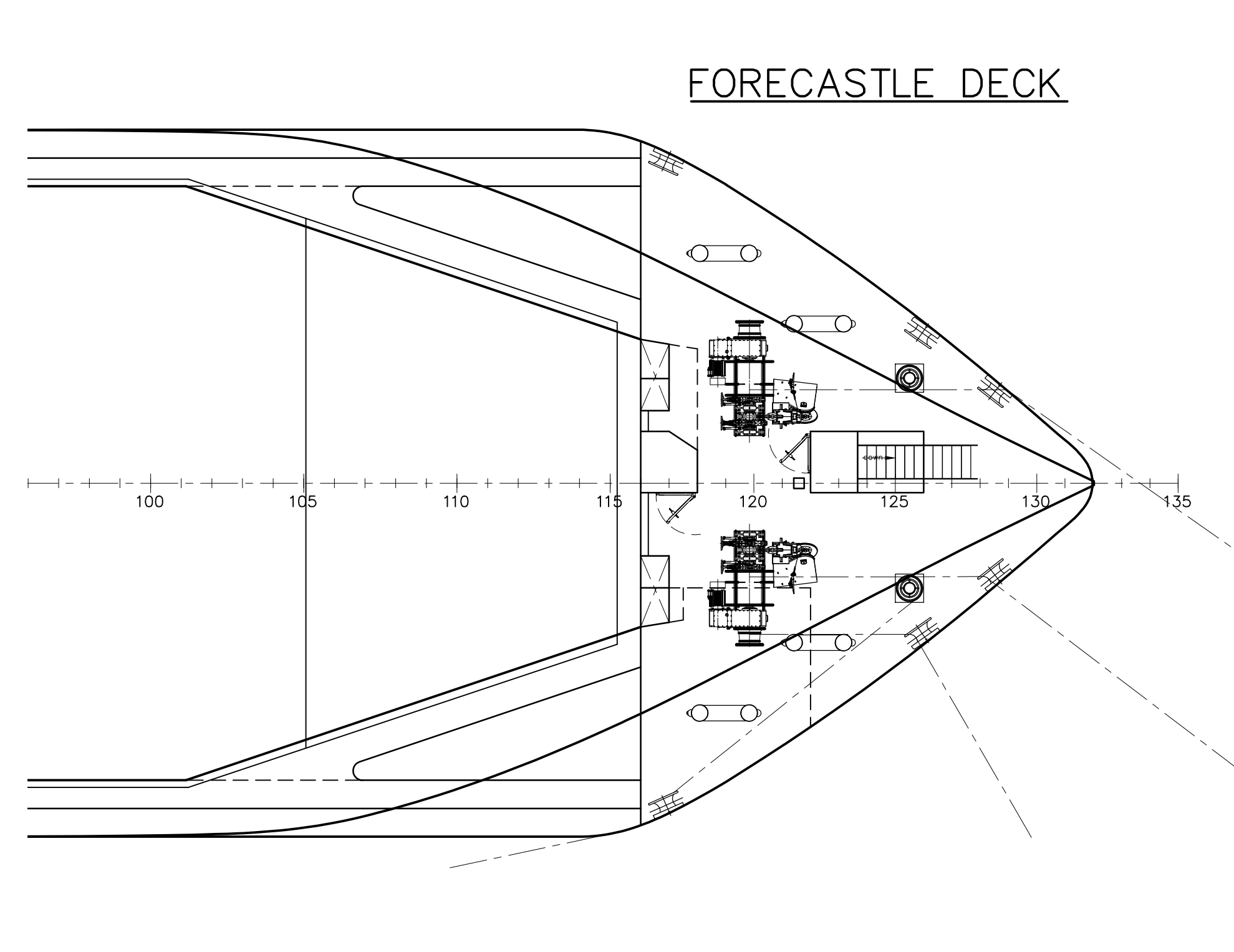
RAISED QUARTER DECK



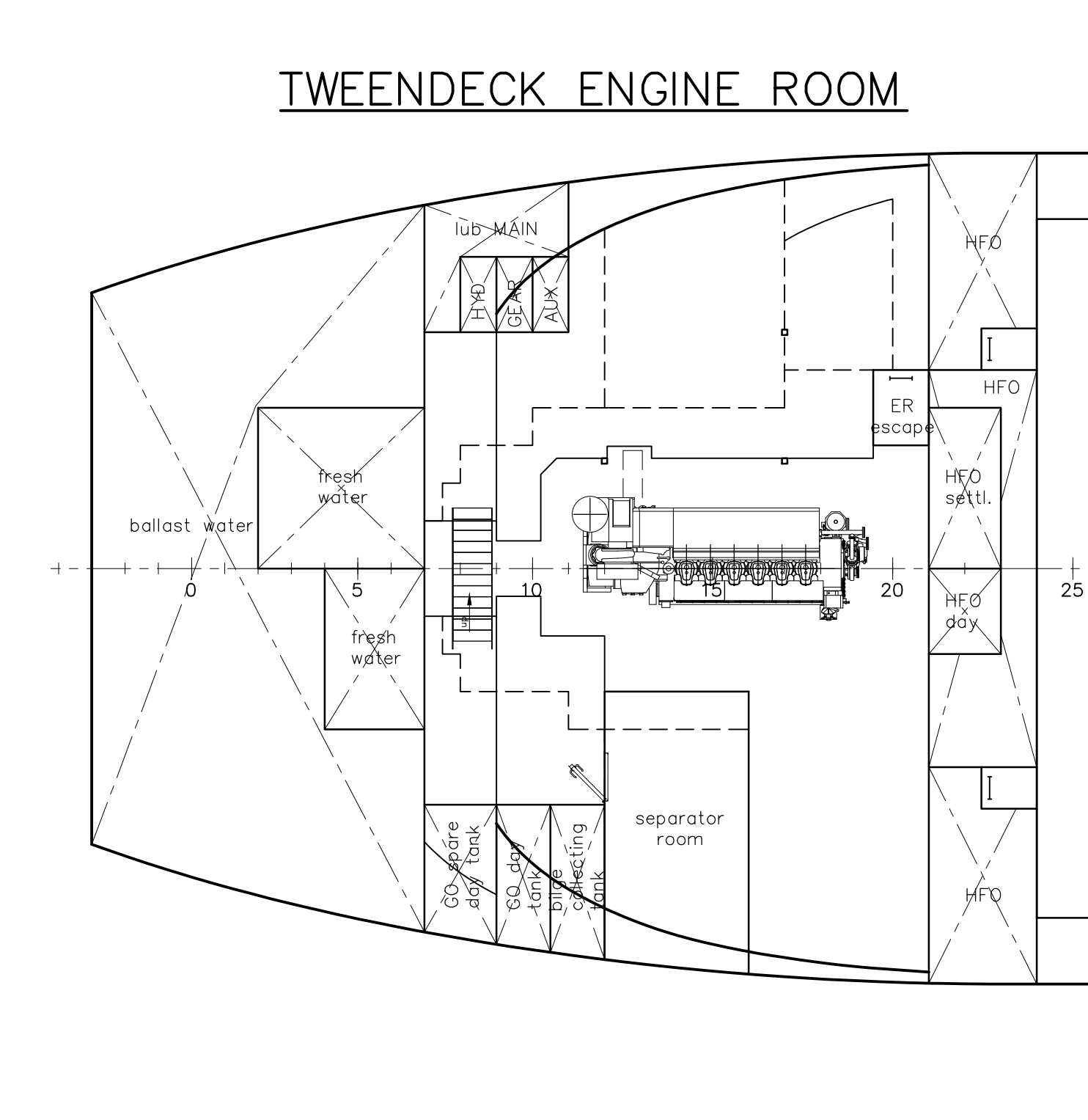
BOAT DECK



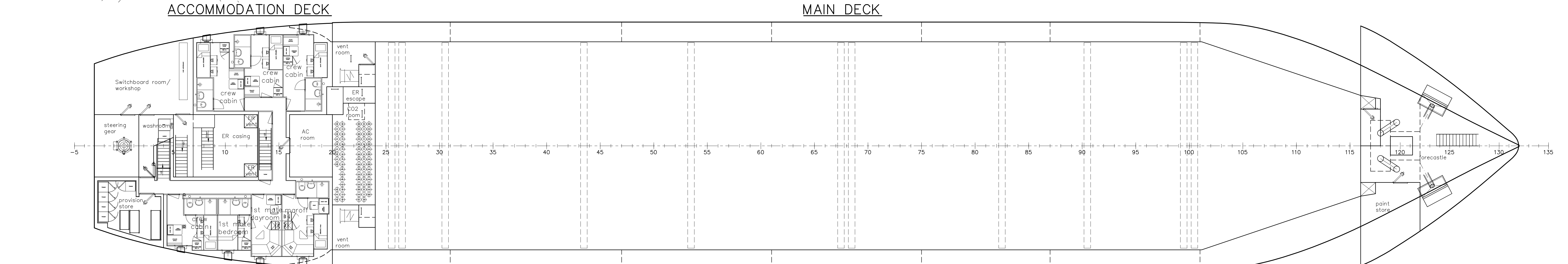
BRIDGE DECK



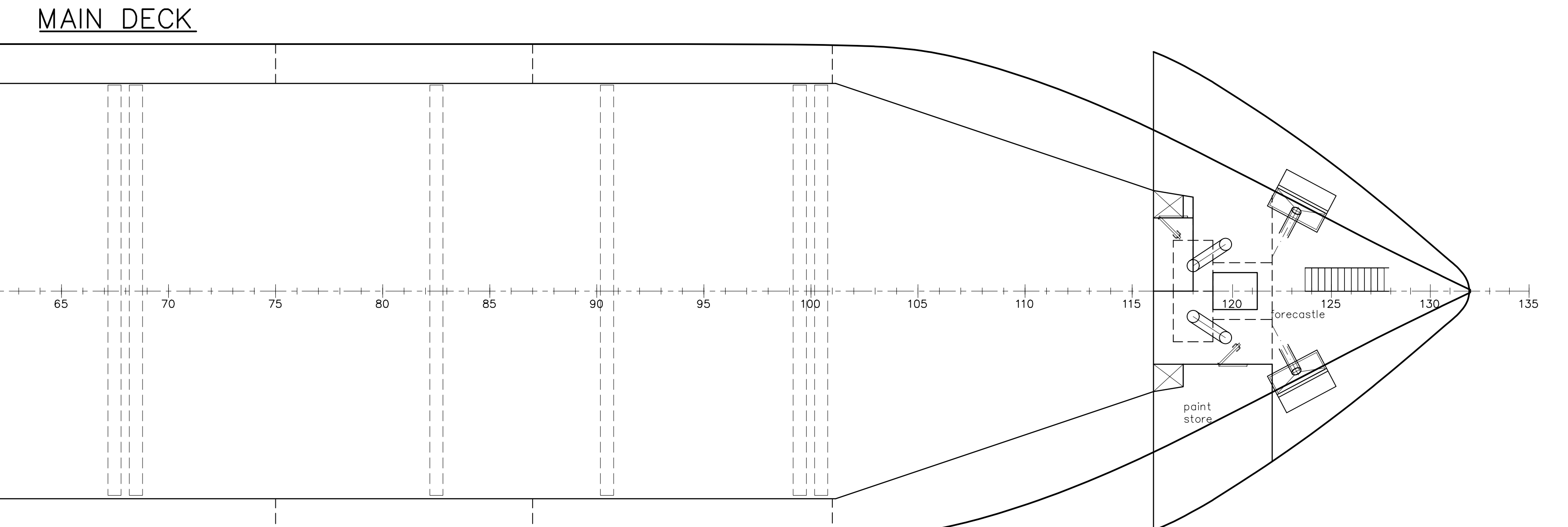
FORECASTLE DECK



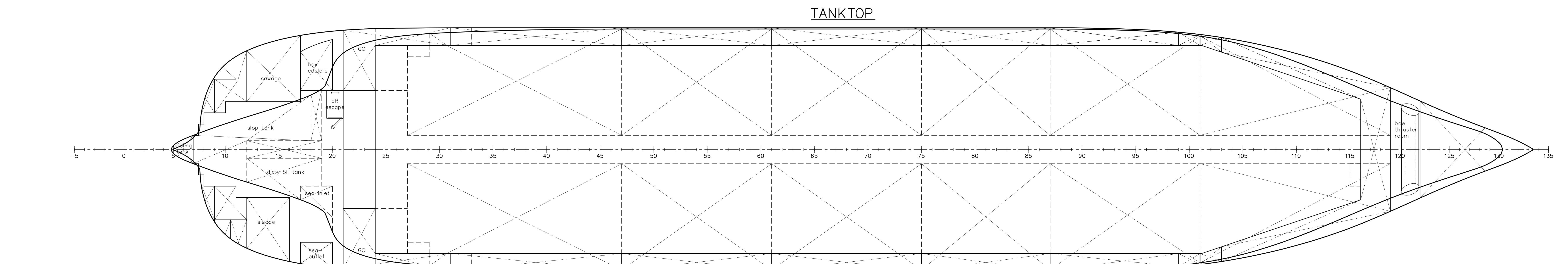
TWEENDECK ENGINE ROOM



ACCOMMODATION DECK



MAIN DECK



TANKTOP

GENERAL PARTICULARS

| | | |
|------------------------|--------|---------------|
| Length o.a. | 87.400 | m |
| Length l.l. | 84.990 | m (Load Line) |
| Breadth | 14.990 | m (moulded) |
| Depth | 7.120 | m (moulded) |
| Draught | 6.260 | m (moulded) |
| Deadweight | 5095 | DWT |
| Cargo Hold Volume abt. | 216750 | cuft |
| Power | 1740 | kw (100%) |

| | | |
|-----|---------------------------------|-----------|
| B | door corridor RQ deck added | 24-11-16 |
| A | SEVERAL REMARKS COMPARED TO 424 | 27-9-2016 |
| NO. | ALTERATION | DATE |

SHIPYARD FERUS SMT B.V.
Westerbroek / Leer

P.O.Box 147
 9600 AC, Hoogezand
 The Netherlands

Tel. +31-(0)50-4042555
 Fax +31-(0)50-4042500
 Web www.ferus-smt.nl

GENERAL ARRANGEMENT

SCALE 1:100 YARD NO. 427 TYPE 3000GT
 DATE 07-01-2014 IMO NO. n.a. DRWG. FS 01-100-1
 FORMAT AO © COPYRIGHT BY SHIPYARD FERUS SMT B.V.