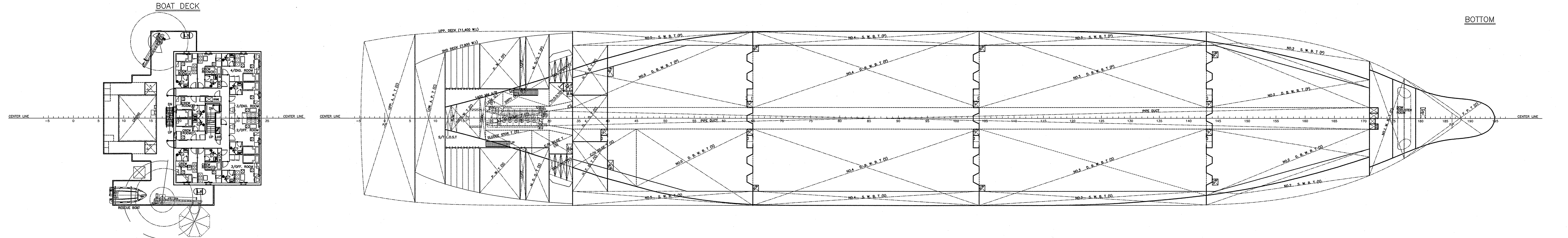
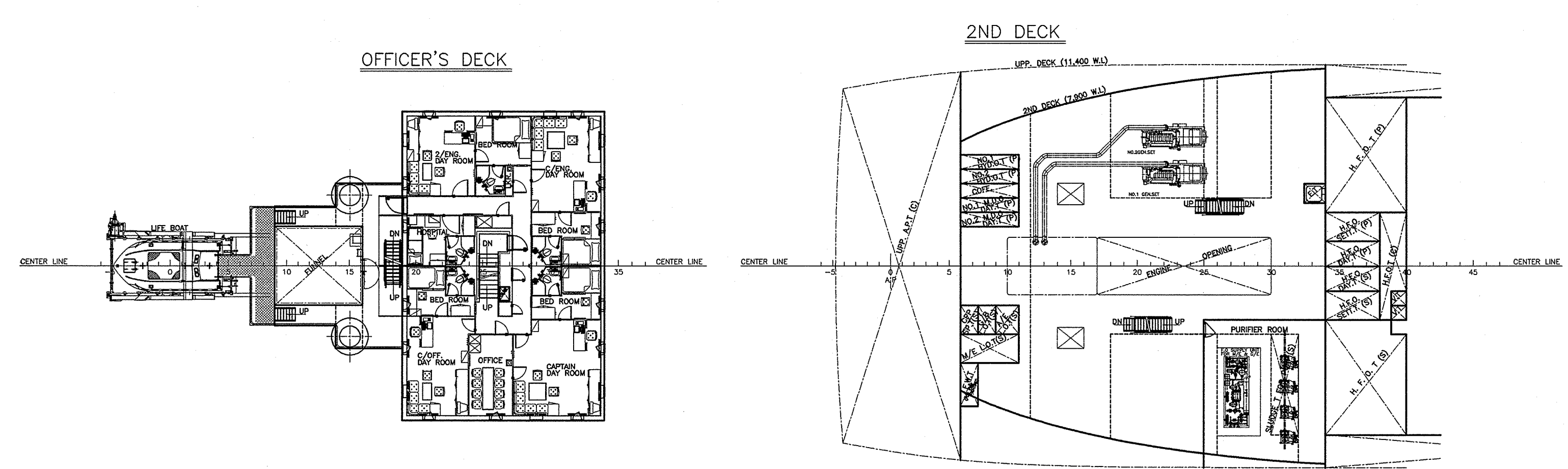
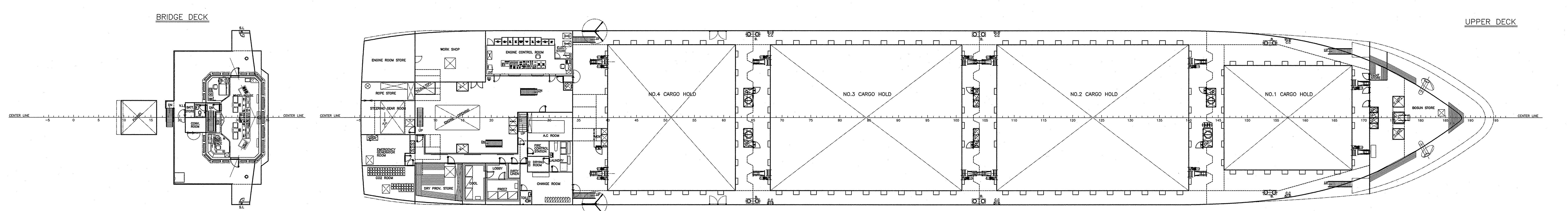
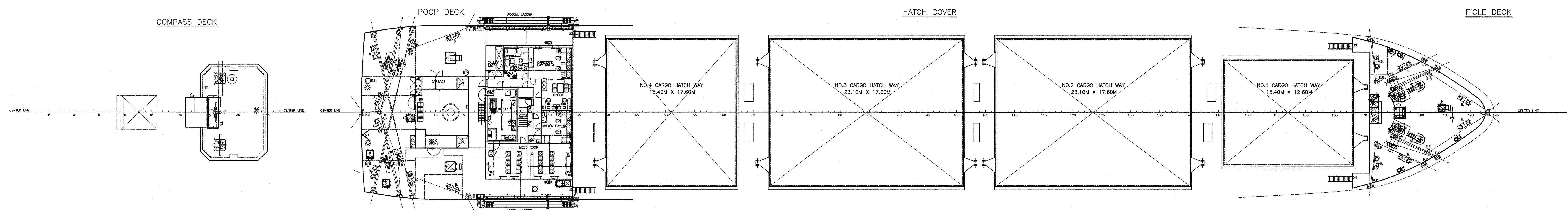
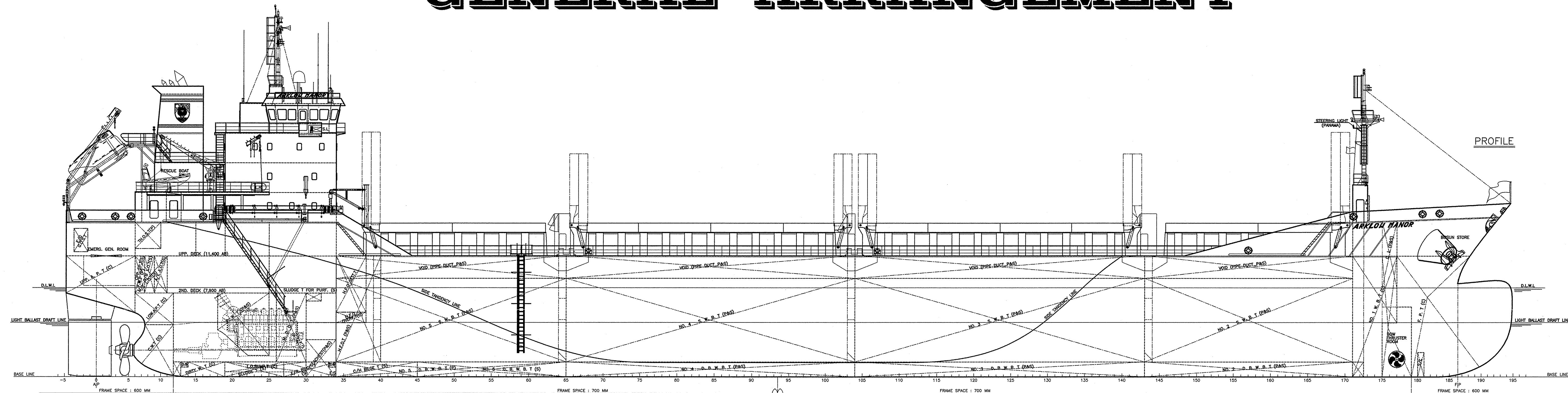
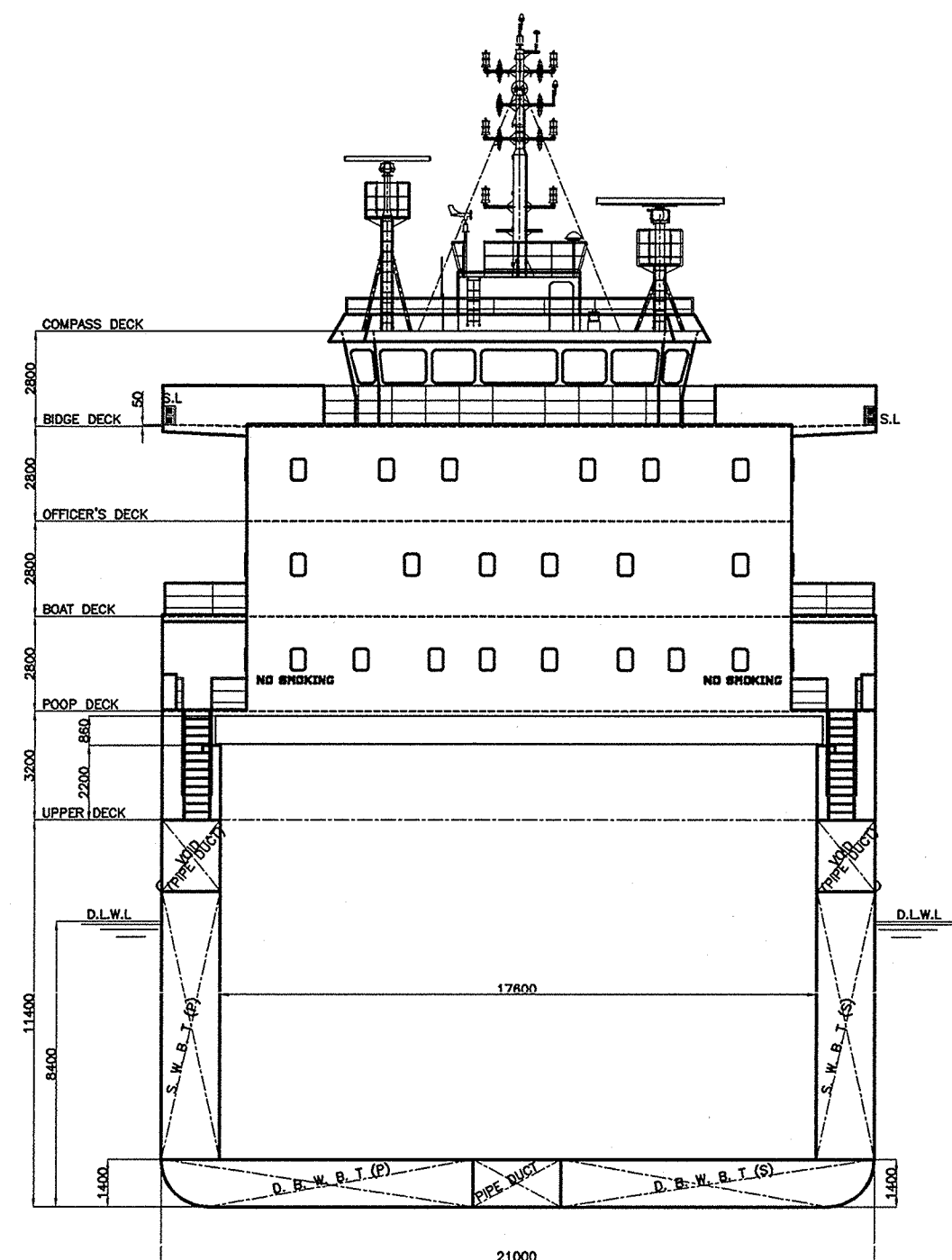


# GENERAL ARRANGEMENT

PLAN HISTORY						
DATE	REV. NO.	DESCRIPTION	DWN	CHK	APP	REMARK
2009. 07. 29	A	FINAL DWG.				



### PRINCIPAL PARTICULARS

LENGTH O. A.	Abt. 136.474 M
LENGTH B. P.	128.500 M
BREADTH (M.L.D.)	21.000 M
DEPTH (M.L.D.)	11.400 M
DRAFT (M.L.D.) D.L.W.L.	8.400 M
DRAFT (M.L.D.) SCANTLING	8.480 M
GROSS TONNAGE	Abt. 9,750 T
DEAD WEIGHT (at D.L.W.L.)	Abt. 14,250 T
(at SCANTLING)	Abt. 14,450 T
MAIN ENGINE	MAK 6M43C x 1 SET
MCR	5,400 KW x 500 RPM
NCR (85% of MCR)	4,590 KW x 500 RPM
SPEED (SERVICE)	Abt. 14.50 KTS
COMPLEMENT	16 PERSONS
CLASSIFICATION : BUREAU VERITAS (B.V.)	
1+HULL, GENERAL CARGO SHIP,	
HEAVY CARGO (CARGO HOLDS, 196.2kN/m <sup>2</sup> )	
UNRESTRICTED NAVIGATION, INWATERSURVEY	
+MACH, AUT-UMS, MON-SHAFT	

OWNER		ARKLOW SHIPPING LIMITED.	
HELL NO.	MS07-189	PROJ. NAME	14,200 DWT GENERAL CARGO VESSEL
APP BY	H. W. LEE	TITLE	GENERAL ARRANGEMENT
APP BY	O. Y. KWON		
CHK BY			
DWN BY (TEL)	K. D. CHOO(1023)		
PROJ. NO.	2007-S008	DATE	2009. 07. 29
		SCALE	1/200
		DWG. NO.	1600-002
		REV. NO.	A
BUILDER	MOKPO SHIPBUILDING INDUSTRY CO., LTD.		
DESIGNER	KIMS KOREA MARITIME SERVICES CO., LTD.		

IMO SHIP IDENTIFICATION NUMBER  
HULL NO. MS07-189  
IMO NO. 9440241